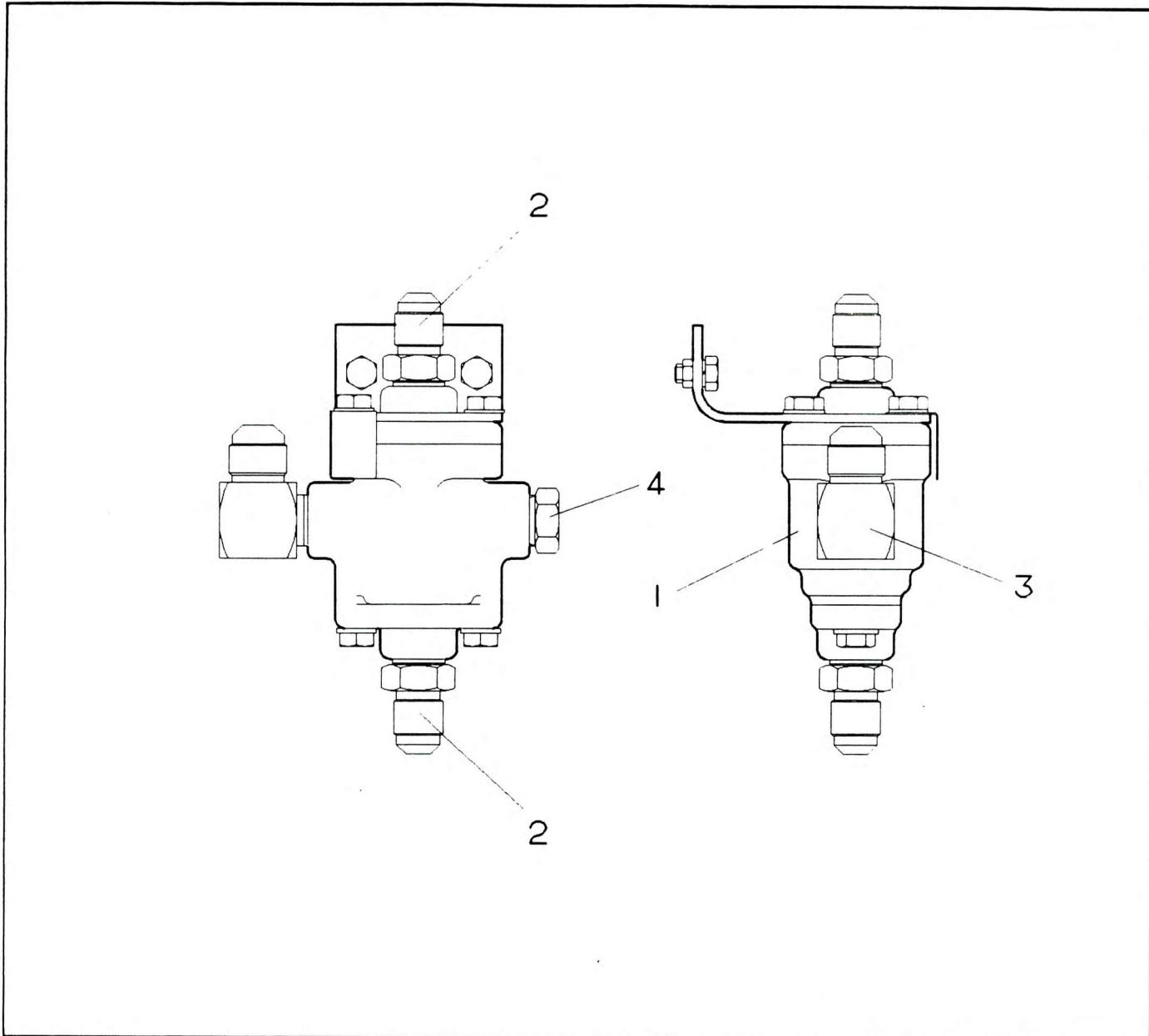


VALVE DIFFERENTIAL PROT SUB ASSEMBLY



NO.	PART NO.	QTY.	DESCRIPTION	NO.	PART NO.	QTY.	DESCRIPTION
1 +	8866078	1	P Valve Diff Protn.				
2	7-443-990969	2	Adaptor $\frac{3}{8}$ " NPTF x $\frac{1}{2}$ " Tube				
3	7-443-991028	1	Fixed Elbow Adaptor				
4	13052	1	Plug $\frac{3}{8}$ " NPT Dry				

+ See further breakdown in this group